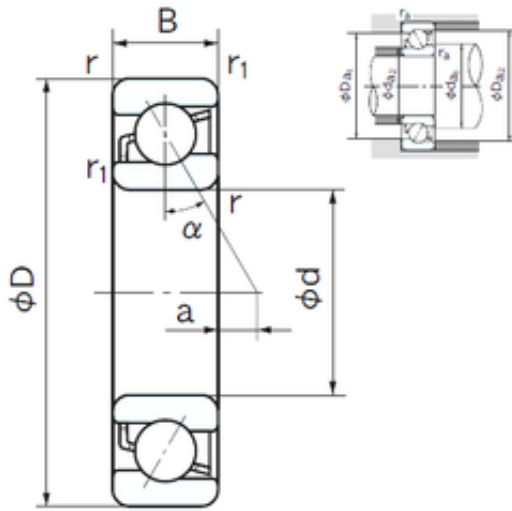




# BEARING CORP.OF AMERICA



80 mm x 170 mm x 39 mm  
7212/7212C/7212AC/7212B Angular Contact Ball  
Bearing 60\*110\*22

Bearing No. 7316B

7316B Bearing 2D drawings and 3D CAD models

Size	80x170x39 mm
Bore Diameter	80 mm
Outer Diameter	170 mm
Width	39 mm
d	80 mm
D	170 mm
B	39 mm
C	39 mm
Angle ( )	40 °
a	33.0 mm
r min.	2.1 mm
r1 min.	1.1 mm
da min.	92 mm
Da max.	158 mm
ra max.	2 mm
Weight	4.18 Kg
Basic dynamic load rating (C)	139 kN
Basic static load rating (C0)	112 kN
(Grease) Lubrication Speed	3200 r/min
Category	Angular Contact Ball Bearings
Inventory	0.0
Manufacturer Name	NACHI
Minimum Buy Quantity	N/A



## BEARING CORP.OF AMERICA

Weight / Kilogram	4.178
Product Group	B00308
Enclosure	Open
Flush Ground	No
Rolling Element	Ball Bearing
Number of Rows of Balls	Single Row
Precision Class	ABEC 1   ISO P0
Maximum Capacity / Filling Slot	No
Snap Ring	No
Cage Material	Steel
Contact Angle	40 Degree
Internal Clearance	C0-Medium
Number of Bearings	1 (Single)
Inch - Metric	Metric
Long Description	80MM Bore; 170MM Outside Diameter; 39MM Width; Open; No Flush Ground; Ball Bearing; Single Row of Balls; ABEC 1   ISO P0; No Filling Slot; No Snap Ring
Category	Angular Contact Ball Bearing
UNSPSC	31171531
Harmonized Tariff Code	8482.10.50.28
Noun	Bearing
Keyword String	Angular Contact
Manufacturer URL	<a href="http://www.nachi.com">http://www.nachi.com</a>
Manufacturer Item Number	7316 B BNLS
Weight / LBS	9.21
Outside Diameter	6.693 Inch   170 Millimeter
Bore	3.15 Inch   80 Millimeter
Width	1.535 Inch   39 Millimeter
Configuration	Single Row



## BEARING CORP.OF AMERICA

Bore Type	Cylindrical Bore
Bore Size	80 mm
Fillet Radius/Chamfer	2.1 mm
r1	1.1 mm
Dynamic Load Rating	139,000 N
Static Load Rating	112,000 N
Limiting Speed - Grease	3,200 rpm
Limiting Speed - Oil	4,200 rpm
da1 (min)	92 mm
da2 (min)	87 mm
Da1 (max)	158 mm
Da2 (max)	163 mm
ra (max)	2 mm
ra1 (max)	1 mm