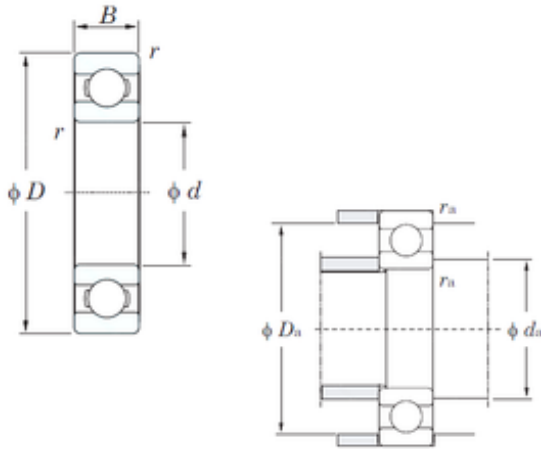




BEARING CORP.OF AMERICA



55 mm x 140 mm x 33 mm DAC4785045
Automotive Wheel Hub Bearing 47*85*45mm

Bearing No. 6411

6411 Bearing 2D drawings and 3D CAD models

Size	55x140x33 mm
Bore Diameter	55 mm
Outer Diameter	140 mm
Width	33 mm
d	55 mm
D	140 mm
B	33 mm
C	33 mm
r min.	2,1 mm
da min.	66 mm
Da max.	129 mm
ra max.	2 mm
Weight	2,29 Kg
Basic dynamic load rating (C)	100 kN
Basic static load rating (C0)	62,3 kN
(Grease) Lubrication Speed	5000 r/min
(Oil) Lubrication Speed	6000 r/min
Category	Single Row Ball Bearings
Inventory	0.0
Manufacturer Name	KOYO
Minimum Buy Quantity	N/A
Weight / Kilogram	2.508
Product Group	B00308
Enclosure	Open
Precision Class	ABEC 1 ISO P0



BEARING CORP.OF AMERICA

Maximum Capacity / Filling Slot	No
Rolling Element	Ball Bearing
Snap Ring	No
Internal Special Features	No
Cage Material	Steel
Internal Clearance	C0-Medium
Inch - Metric	Metric
Long Description	55MM Bore; 140MM Outside Diameter; 33MM Outer Race Diameter; Open; Ball Bearing; ABEC 1 ISO P0; No Filling Slot; No Snap Ring; No Internal Special Features
Category	Single Row Ball Bearing
UNSPSC	31171504
Harmonized Tariff Code	8482.10.50.68
Noun	Bearing
Keyword String	Ball
Manufacturer URL	http://www.koyousa.com
Manufacturer Item Number	6411
Weight / LBS	5.524
Outside Diameter	5.512 Inch 140 Millimeter
Bore	2.165 Inch 55 Millimeter
Outer Race Width	1.299 Inch 33 Millimeter
Bearing No.	6411
r(min)	2.1
Cr	126
C0r	62.3
Cu	5.35
f0	12.2
Grease lub.	5000
Oil lub.	6000



BEARING CORP.OF AMERICA

da(min)	66
Da(max)	129
ra(max)	2
(Refer.)Mass(kg)	2.29